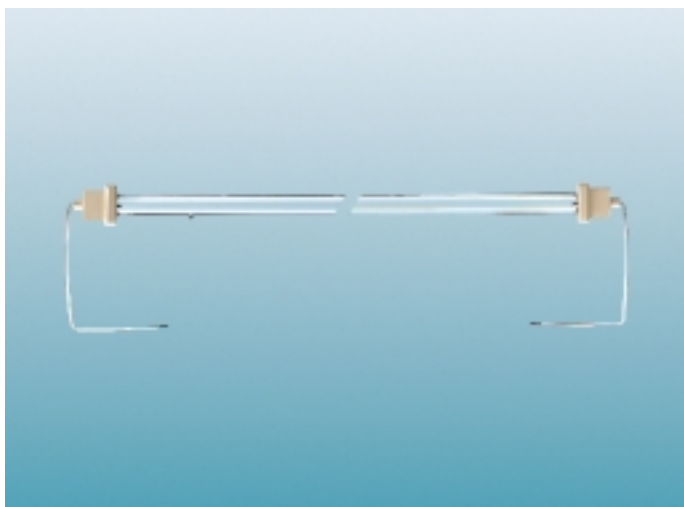


# Special H.I.D. lamps

# HOK Curing/disinfection 80-120 W/cm



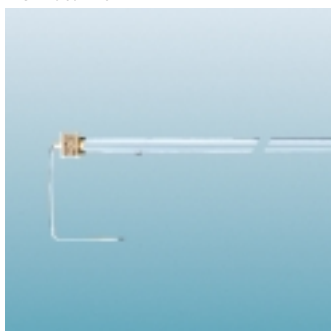
HOK 80/120

Long-arc medium-pressure high-power mercury radiators consisting of a double-ended quartz discharge tube filled with mercury, and emitting UV-C radiation. Up to 2 kW lamp power; a choke and ignitor can be used. For higher power levels a transformer-type circuit is needed. HOK /80 and /120 lamps can be loaded up to 80 and 120 W per cm of arc length resp. (/120 lamps are recommended because they allow for more flexibility in the process). The lamps contain sophisticated quantities of mercury bromides, providing a self-cleaning halogen cycle to control the maintenance.

Forced air ventilation is required to remove the ozone produced by HOK lamps. Burning position: horizontal +/- 10 degrees for all HOK lamps except for HOK 4/120 (horizontal +/- 180 degrees) and HOK 4/120 SE (universal).

### Applications

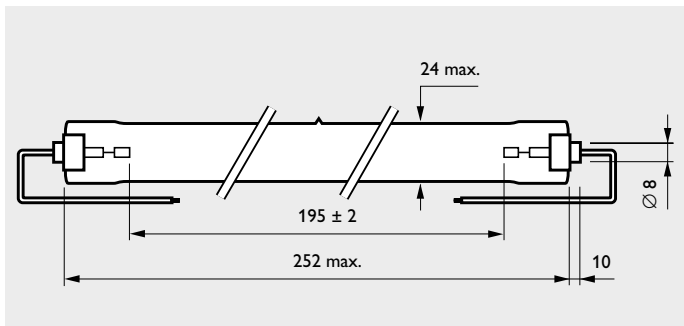
- Curing of lacquers, paints and inks
- Disinfection of waste water
- Label printing
- Photochemical processes
- Advanced Oxidation Technologies



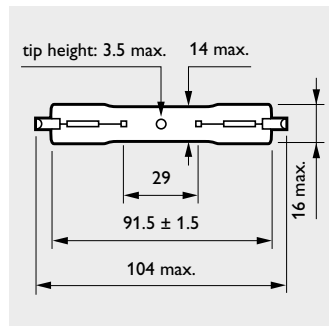
HOK 80/80



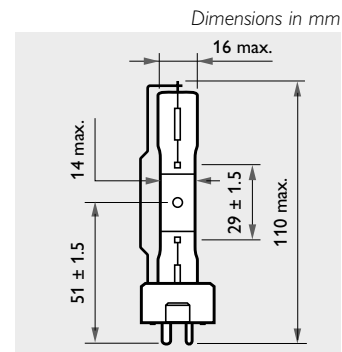
HOK 4/120 SE



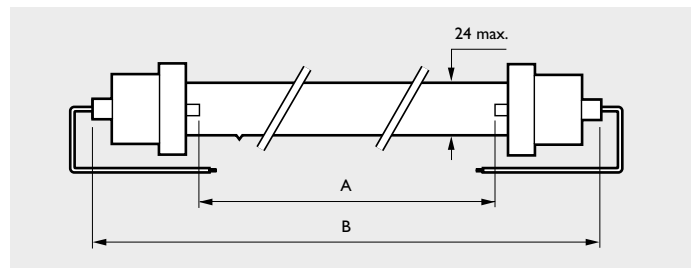
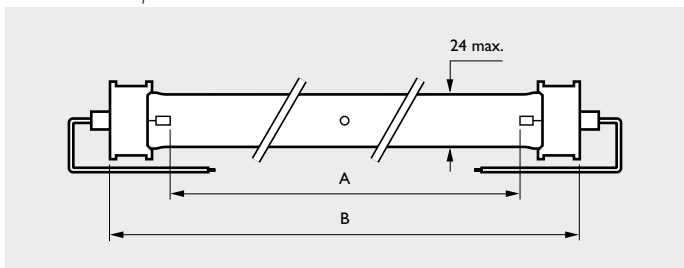
HOK 20/100 Cap/cable



HOK 4/120 R7s-21



HOK 4/120 SE GY9.5



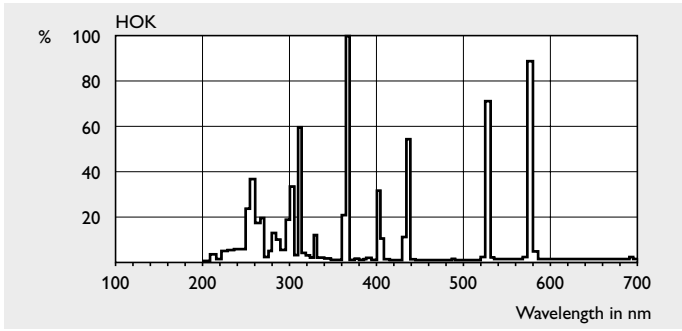
Type	A	B max.
Cap/base SK32		
HOK 35/80	355.0±2.0	422.0
HOK 65/80	650.0±2.0	716.0
HOK 80/80	813.0±2.0	874.0
HOK 105/80	1065.0±2.0	1136.0
HOK 140/80	1415.0±2.0	1486.0

Type	A max.	B max.
Cap/base SK32/28x42		
HOK 35/120	348.0±2.0	428.0
HOK 50/120	500.0±2.0	580.0
HOK 65/120	637.0±2.0	717.0
HOK 80/120	800.0±2.0	880.0
HOK 105/120	1057.0±2.0	1137.0
HOK 140/120	1407.0±2.0	1487.0

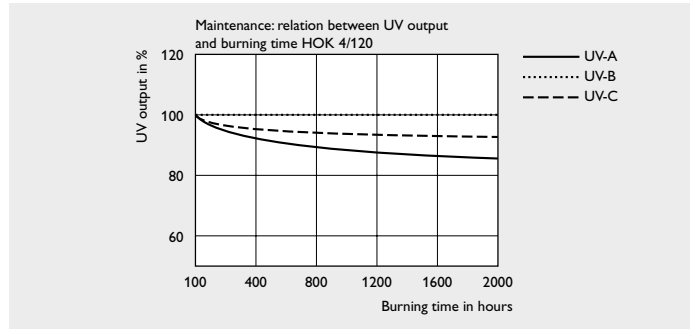


# Special H.I.D. lamps

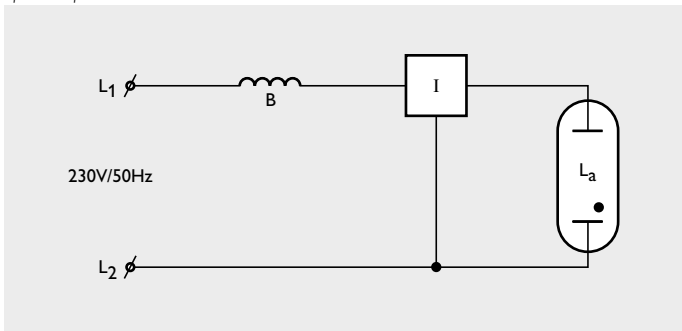
# HOK Curing/disinfection 80-120 W/cm



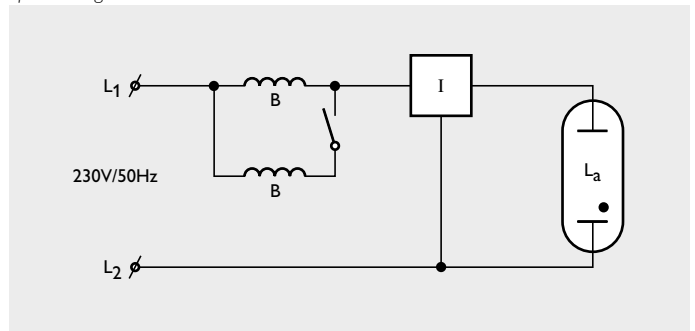
Spectral power distribution



Special diagram



Circuit diagrams



Type	Cap/ base	Lamp wattage	Lamp current	Maximum permissible base/pinch temperature degr.C	Maximum permissible bulb temperature degr.C	UV-C radiation	Nett weight	Ordering number	EOC
		W	A			W	g		
HOK 35/80	SK32	2850	6.5	300	900	430	156	8222 341 25704	188557
HOK 65/80	SK32	5000	6.6	300	900	750	224	9281 856 05104	-
HOK 80/80	SK32	6400	7.0	300	900	960	261	9281 889 05104	188618
HOK 105/80	SK32	8300	6.7	300	900	1250	319	9281 887 05104	188465
HOK 140/80	SK32	11000	6.5	300	900	1650	400	9281 888 05104	188526
HOK 20/100	CAP/CABLE	2100	9.6	300	900	335	75	9281 882 05102	188700
HOK 4/120	R7S-21	400	3.5	350	950	55	55	9281 864 05102	195074
HOK 4/120SE	GY9,5	400	3.5	350	950	55	55	9281 865 05102	195777
HOK 35/120	SK32/28*42	4300	10.3	300	900	760	156	9281 883 05104	193865
HOK 50/120	SK32/28*42	6000	10.0	300	900	960	191	9281 884 05104	193896
HOK 65/120	SK32/28*42	7800	10.3	300	900	1280	224	9281 892 05104	193636
HOK 80/120	SK32/28*42	9600	10.5	300	900	1570	261	9281 893 05104	193605
HOK 105/120	SK32/28*42	12400	9.9	300	900	2020	319	9281 896 05104	193575
HOK 140/120	SK32/28*42	17000	10.0	300	900	2860	400	9281 898 05104	193544

